
BuzziCockpit

Product Specification Sheet

This document contains technical information about the Cockpit



Acoustic desktop cocoon

The BuzziCockpit is a tool for personal privacy and wellbeing.


It is a small, compact and ergonomically-designed acoustical cocoon. It is a piece you can easily add in any office by setting it up on top of any existing table. By doing so, a quieter and more private area is instantly defined within the space. When using it, one should grab the handles and slightly pull the BuzziCockpit closer in order to enhance the acoustic experience. It can easily be moved back to create a larger, more collaborative work area as well. This cocoon can be used as a clever add-on to any office, but would also be very useful in public places such as libraries or hotel lobbies.

Design by Alian Gilles


General

 Solo | Duo


Structure: poplar plywood

 Cover: acoustic foam + layer felt 3 mm | 0.12" covered with fabric
Fabrics: Fabric, Terra, Hero, Tonus 4, Tonus Meadow

Solo: L 74 cm W 83 cm H 78 cm
 L 29.13" W 32.68" H 30.71"

 Duo: L 100 cm W 83 cm H 78 cm
 L 39.37" W 32.68 H 30.71"

Solo: 17,2 kg
 37.92 lbs

 Duo: 20,5 kg
 45.19 lbs

Acoustics



Absorption

Content

Configurations	3
Fabrics	4
Dimensions	5

Configurations

BuzziCockpit Solo

🔑 Solo

Core: poplar plywood



Cover: acoustic foam + layer felt 3 mm | 0.12" covered with fabric

Fabrics: Fabric, Terra, Hero, Tonus 4 or Tonus Meadow

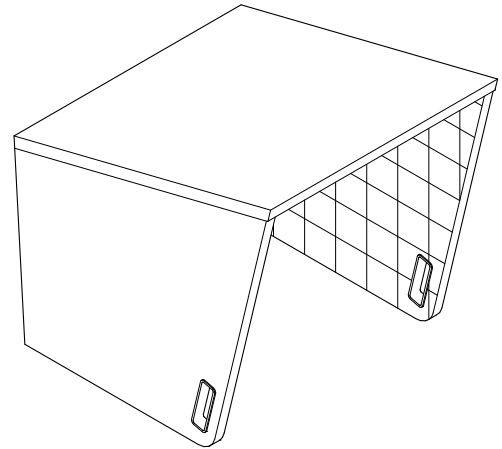


L 74 cm W 83 cm H 78 cm
L 29.13" W 32.68" H 30.71"



17,2 kg
37.92 lbs

... Bicolor: backpanel in other color



BuzziCockpit Duo

🔑 Duo

Core: poplar plywood



Cover: acoustic foam + layer felt 3 mm | 0.12" covered with fabric

Fabrics: Fabric, Terra, Hero, Tonus 4 or Tonus Meadow

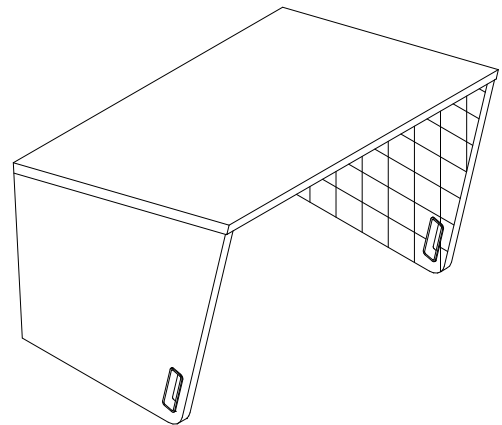


L 100 cm W 83 cm H 78 cm
L 39.37" W 32.68" H 30.71"



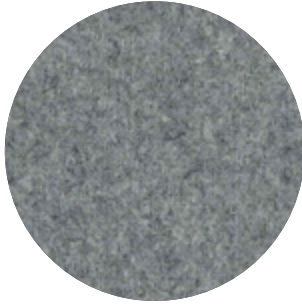
20,5 kg
45.19 lbs

... Bicolor: backpanel in other color



Fabrics

Fabric



Category A

Composition 70% Recycled Wool, 25% Recycled Polyacryl,
5% Recycled Other Fabrics

Weight 405 g/m² | 11.94 oz/yd²

Abrasion resistance 40.000 Martindale, 50,000 Wyzenbeek

Flammability EU: EN 1021.1/2006 | BS EN 1021.1/2006 (cigarette).
EN 1021.2/2006 | BS EN 1021.2/2006 (match)
USA: CAL TB 117 | ASTM E84 CLASS A

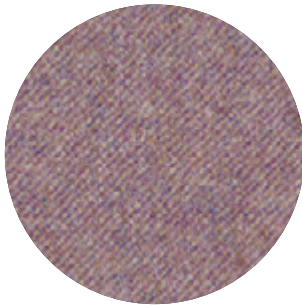
Fastness to light EU: 4 | USA 4

Fastness to rubbing EU: Wet 3-4 | Dry 4-5

Fastness to crocking USA: Wet 5 | Dry 5



Terra



Category B

Composition 100% Pure New Wool

Weight 370 g/m² | 10.91 oz/yd²

Abrasion resistance 40.000 Martindale, 25,000 Wyzenbeek

Flammability EU: BS5852 CRIB 5 | BS5867 PART 2 : 2008 : TYPE B
EN: 1021.2/2006 | USA: CAL TB 117

Fastness to light EU 5 | USA 5

Fastness to rubbing EU: Wet 4 | Dry 4

Fastness to crocking USA: Wet 4 | Dry 4



Tonus 4

kvadrat



Category D

Composition 90% new wool, 10% Helanca

Weight 665 g/lin.m

Abrasion resistance 100.000 Martindale rubs, EN ISO 12947

Flammability EN 1021-1/2 | BS 5852 part 1 | DIN 4102 B2
Önorm B1/Q1 | NF D 60 013 | UNI 9175 11M
US Cal. Bull. 117-2013 | NFPA 260 | IMO A.652 (16)

Fastness to light Note 5-7, ISO 105-B02

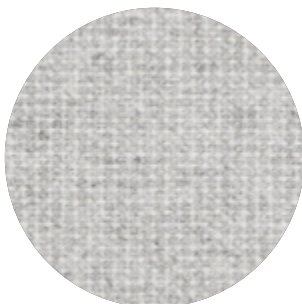
Fastness to rubbing (ISO) dry 3-5, wet 3-5

Pilling Note 3, EN ISO 12945



Tonus Meadow

kvadrat



Category D

Composition 90% new wool, 10% Helanca

Weight 665 g/lin.m

Abrasion resistance 100.000 Martindale rubs, EN ISO 12947

Flammability EN 1021-1/2 | BS 5852 part 1 | DIN 4102 B2
Önorm B1/Q1 | NF D 60 013 | UNI 9175 11M
US Cal. Bull. 117-2013 | NFPA 260 | IMO A.652 (16)

Fastness to light Note 5-7, ISO 105-B02

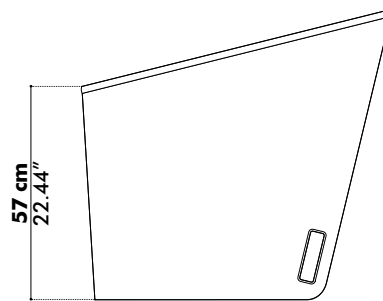
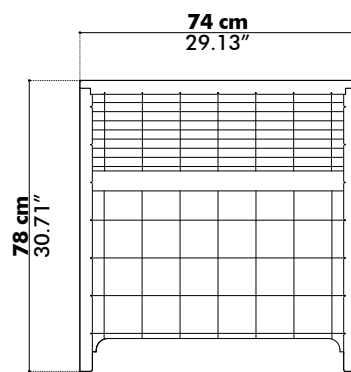
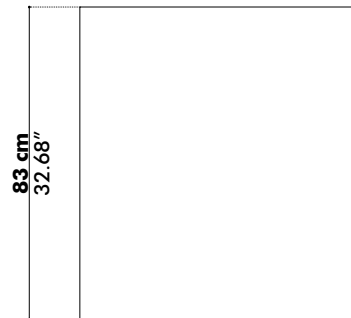
Fastness to rubbing (ISO) dry 4-5, wet 4

Pilling Note 3, EN ISO 12945



Dimensions

BuzziCockpit Solo



BuzziCockpit Duo

