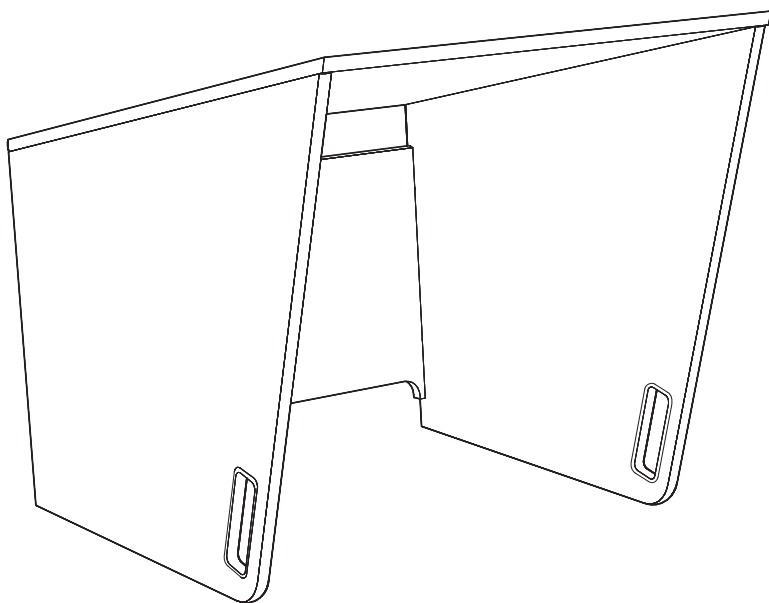


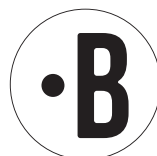
# BuzziCockpit

## INSTALLATION MANUAL



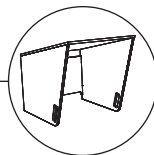
### **Warning**

**Please read the installation manual thoroughly before assembling.  
The BuzziCockpit is not intended to be disassembled.  
Doing so will result in damage to the product.**



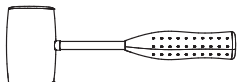
# BuzziCockpit

1 PERS. 



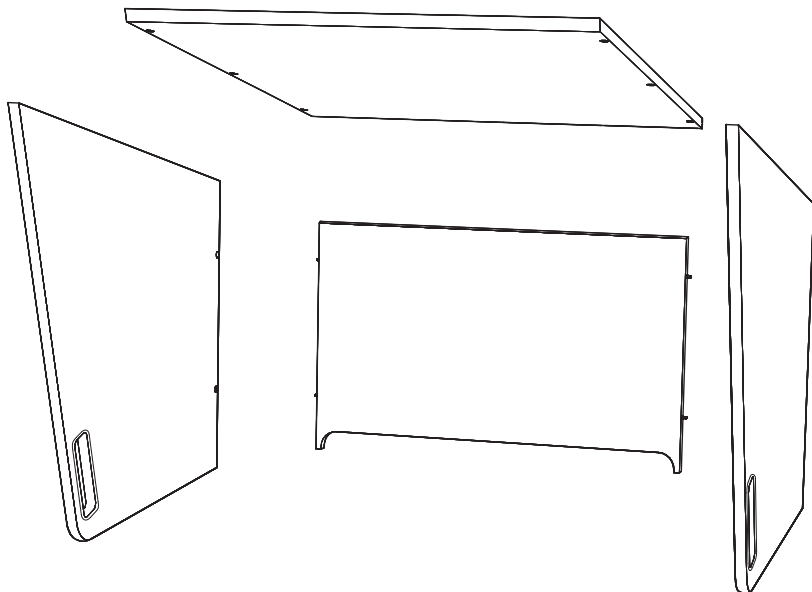
**Excl.**

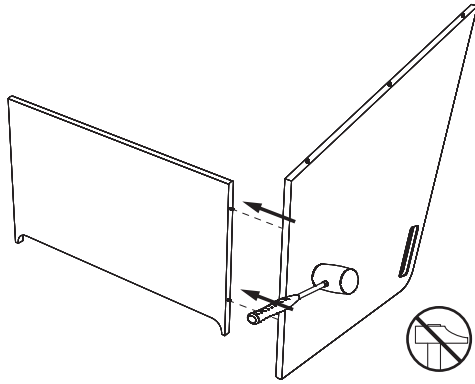
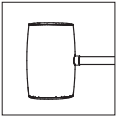
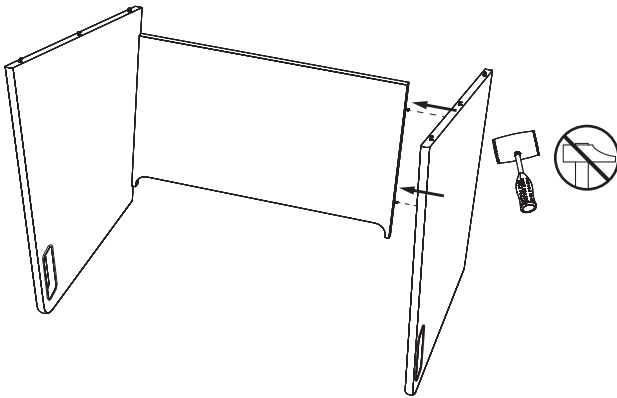
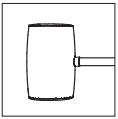
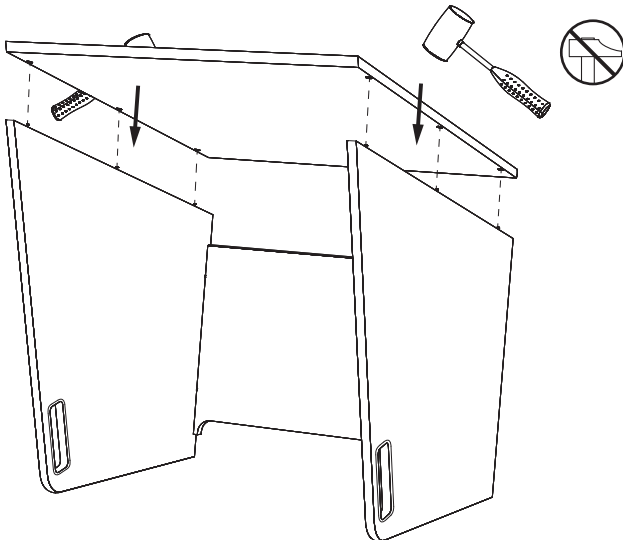
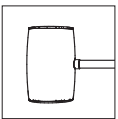
---



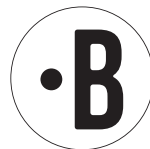
**Incl.**

---



**1****2****3**

**BuzziSpace**  
Groeningenlei 141  
2550 Antwerp, Kontich  
Belgium  
☎ +32 (0)3 846 10 00  
✉ [info@buzzi.space](mailto:info@buzzi.space)  
🌐 [www.buzzi.space](http://www.buzzi.space)



Doc nr.: A-0000001700  
Last update: 24/01/2017