
BuzziTrihex

Product Specification Sheet

This document contains technical information about the BuzziTrihex



www.buzzi.space



A new take on the meeting table: functional yet elegant

The original round table has been rethought in its simplicity.

Tuning the outlines and bringing in soft edges result in a distinctive design language which makes BuzziTrihex unique.

The base is intentionally streamlined and subtle in its design to showcase the natural beauty of the wooden top.


Available in two sizes, one rounded and the other rectangular, the table can fit up to nine guests.


The BuzziTrihex is offered in a solid wood tabletop and base.

It can be used in a private office, a meeting room or a hospitality suite.

Design by Gerd Couckhuyt

General

 Round | Rectangle

 Worktop: Ash Natural, Ash Black Stained, Ash White Wash or Ash Walnut Stained
Base: always in Ash Black Stained

 Dry use

Content

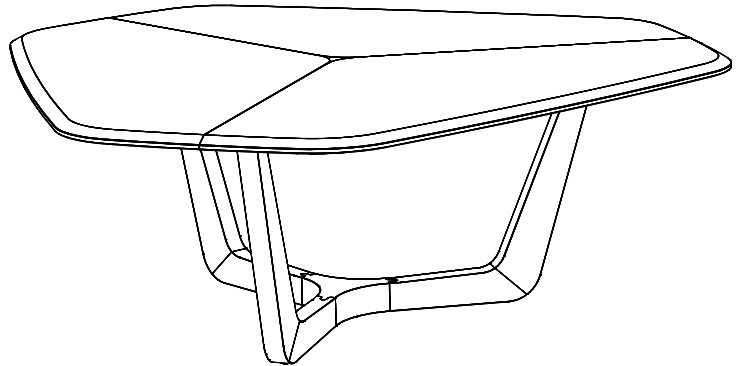
Configurations	3
Finishes	4
Dimensions	5

Configurations

BuzziTrihex Round

🌲 Worktop: Ash Natural, Ash Black Stained, Ash White Wash or Ash Walnut Stained
Base: always in Ash Black Stained

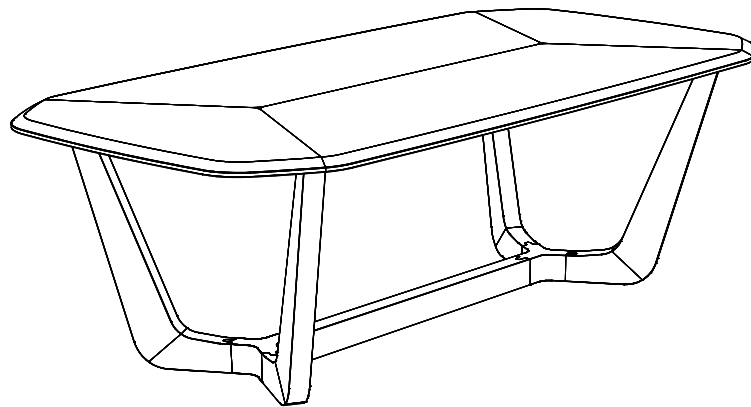
✂ W 194,3 cm H 73,5 cm D 213,5 cm
W 76.50" H 28.94" D 84.06"



BuzziTrihex Rectangle

🌲 Worktop: Ash Natural, Ash Black Stained, Ash White Wash or Ash Walnut Stained
Base: always in Ash Black Stained

✂ W 228 cm H 73,5 cm D 116,5 cm
W 89.76" H 28.94" D 45.87"



Finishes

Top



Ash Natural



Ash Black Stained



Ash White Wash



Ash Walnut Stained

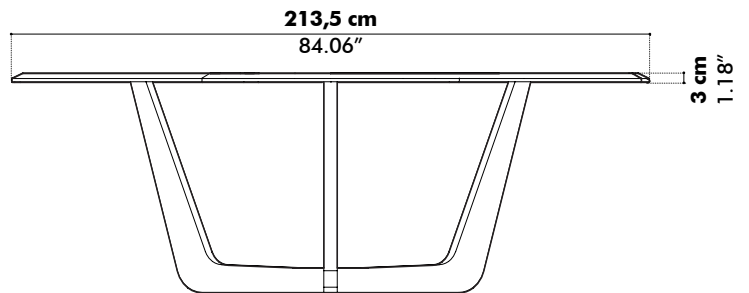
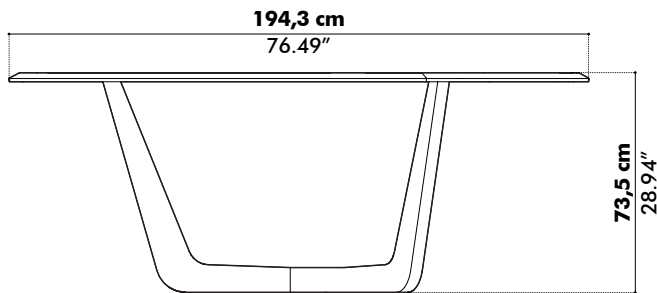
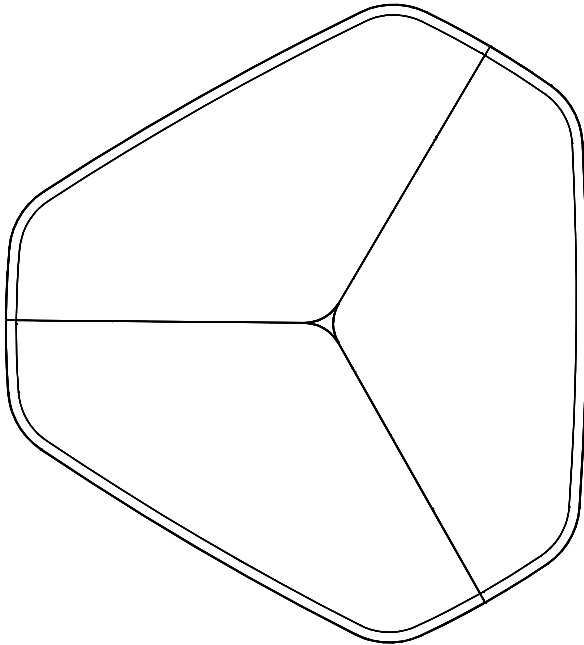
Base



Ash Black Stained

Dimensions

BuzziTrihex Round



BuzziTrihex Rectangular

