

BuzziHive

Acoustic cocoon inspired by train compartments which ensures a private three people meetingroom, without losing contact with the surroundings.
The BuzziHive can be used as a stand-alone element in any space, but it can also be combined with other BuzziHives, thus creating a beehive effect.

Design: Alain Gilles



more pictures? [click here](#)



BuzziHive | Content

COMPOSITION

- shell: Construction: poplar multiplex
Cover inside (flat): foam CME35H + fabric
Cover outside (3D): foam CME35H + fabric
- seating: Construction: metal + 6 mm | 0.24" MDF + 12 mm | 0.47" plywood
Cover: foam C43170 + fabric
- frame: metal powdercoated RAL 7022
- cushion (optional): foam C43170 + CME35H + fabric

USE

- temporary work / meetingspace

OPTIONS

- BuzziFabric / BuzziRough / BuzziTerra
- Cushion (always with 3D)
- Multicolour
- light: 2x LED lightstrip 55cm / 21,65 inch
2x 7W, 3000 Kelvin
2x 700 lumen ±10%

BE
230V
incl. 2x 4m power cord with schuko plug
CE certification

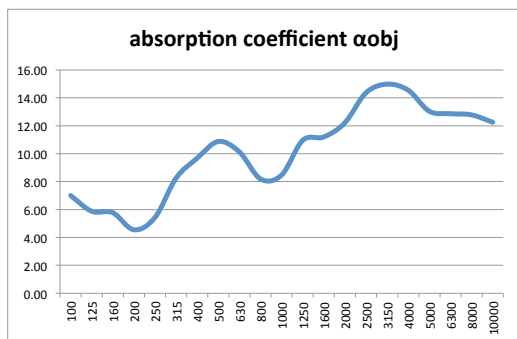
US
120V
incl. 2x 4m power cord with US plug
UL certification

UK
230V
incl. 2x 4m power cord with UK plug
CE certification

BuzziHive | Ratings

- Flammability: BuzziFabric: EN 1021.1/2006 | BS EN 1021.1/2006 (cigarette)
EN 1021.2/2006 | BS EN 1021.2/2006 (match)
CAL TB 117
- BuzziRough: EN 1021.1/2006 | BS EN 1021.1/2006 (cigarette)
DIN 4102 - B1
- BuzziTerra: CRIB 5
CAL 117 PASS
- Foam CME35H: California Test TB 117 – AI en DII
BS 5852 – Crib 5
NF P 92 504 – M4
- Foam C43170: MVSS 302 MOD1
EASA CS25.853(a)
BS 5852 part2 Crib 5

• Acoustic:



Hz	$\alpha_{obj(m)}$
125	6,22
250	6,08
500	10,23
1000	9,21
2000	12,60
4000	14,19

Equivalent sound absorption surface for an individual object in m²

• Light:

BE: CE : class II
EN 60598-1:2008 + A11:2009
EN 60598-2-1:1989

US: CE conform:
EN 60596-1:2008 + A11:2009
EN 60598-2-1:1989
EN 55015:2006 + A1:2007 + A2:2009
EN 61000-3-3:2008
EN 61547:2009
EN 61000-3-2:2006 + A1:2009 + A2:2009

UK: BS1363-5
BS1362

BuzziHive | Useful Links



Price List



Warranty



Install. instructions



2D DWG



3D Sketchup



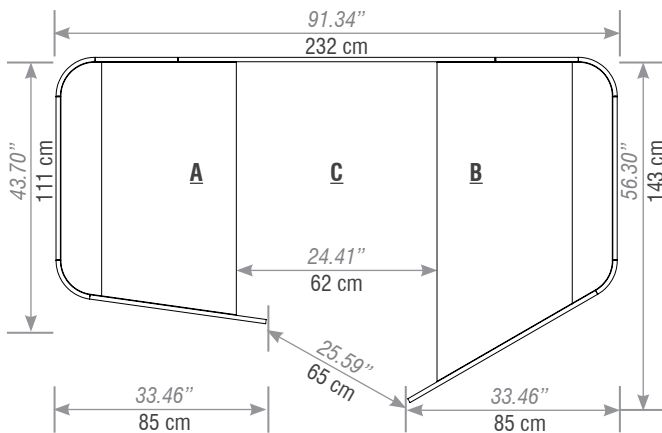
Movie

Questions? Don't hesitate to contact your local agent or distributor



BuzziHive | Dimensions & Weight

	Size:	Weight:
Hive (total):	232 x 143 x 209 cm <i>91.34 x 56.30 x 82.28 inch</i>	net-netto: 205 kg <i>net-netto: 451.95 lbs</i>
Cushion:	55,7 x 25,8 x 18,7 x cm <i>21.93 x 10.16 x 7.36 inch</i>	net-netto: 1,8 kg <i>net-netto: 451.95 lbs</i>
Packaging: wooden box	53 x 251 x 206 cm <i>20.87 x 98.82 x 81.10 inch</i>	net-netto: 65 kg <i>net-netto: 143.30 lbs</i>
Total weight: box + BuzziHive	53 x 251 x 206 cm <i>20.87 x 98.82 x 81.10 inch</i>	net-netto: 275 kg <i>net-netto: 606.27 lbs</i>



Cushion:

